

SAFETY DEVICE:

This regulator is fitted with an over pressure relief valve. An over pressure relief valve is the device for the discharge of the gas which opens to the outside as soon as the gas pressure reaches a set pressure and closes when the monitored pressure has dropped. The pressure relief valve is closed during normal operation. The pressure relief valve is self acting and does not require re- setting. The commonest causes that can provoke the intervention of an over pressure relief valve are

1. Regulation sub-assembly not perfectly working. (dirt or ice on the seat)
2. Presence of the liquid in the down streamline.
3. Remarkable increase in the pressure of the downstream pipe. The vent is provided with Nozzle connection in order to fit a pipe to convey the released gas outside.

MAINTENANCE:

1. This regulator is maintenance free.
2. If after extreme exposure to sea water, surfaces should be cleaned by wiping down to remove salt deposits.
3. Regulator can be tested and serviced only by an authorized service agent. (or if returned to W Hayward engineering)

WARRANTY:

1. This regulator has 1 year warranty against manufacturing defects if any. Labor and installation cost incurred are not covered.
2. Only to be authorized by W. Hayward Engineering.

MARKETED BY.

W.Hayward Engineering.

Farnhan Hall Farmhouse.
Farnham,
Saxmundham,
Suffolk,
IP17 1LB. UK.

Manufactured by:

KABSONS GAS EQUIPMENT PVT. LTD.

Plot NO. 40, CIEEP, Gandhinagar, Balanagar
Hyderabad – 500 037, Telangana, India
Email: kabsons@kabsonsindia.com
Website: www.kabsonsindia.com



HAYWARD 4207 REGULATOR CERTIFICATE NO. : CE – 2717

THESE INSTALLATION AND OPERATING
INSTRUCTIONS TO BE KEPT BY THE END USER.

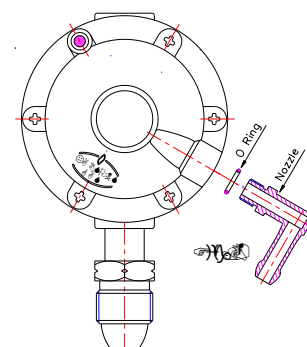
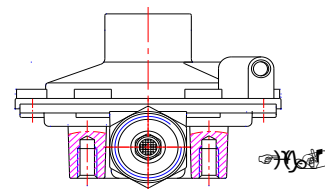
REGULATOR TECHNICAL INFORMATION :

Type of Gas	: LPG
Capacity	: 1.6 kg/h
Inlet pressure Range	: 0.3 - 16 bar
Nominal Outlet pressure	: 30 mbar
Inlet connection	: Threaded connection G.5/8" - LH Spanner tightened as per Type G.7 of EN 15202
Outlet connection	: 3/8" BSP (F) Threads
Limited relief	: 75±10 mbar
Operating Temperature	: -20°C to +50°C
Specification	: EN16129, Annex M

IMPORTANT NOTE. This regulator is fitted with a venting relief valve. Ensure it must be located with in a dedicated, complaint vented cylinder locker.

INSTALLATION INSTRUCTION:

The regulator must be fitted and installed by a competent gas engineer. The gas pipe system, connection to the device and appliances must also be installed by the competent gas engineer. First the regulator must be fitted as shown in the fig. A. The vent nozzle must be fitted to the vent as shown in the fig B.



Every attempt should be made to mount the regulator at or above the level of the cylinder outlet.

Note: The regulator can be mounted horizontally to help accommodate this.

OPERATING INSTRUCTIONS:

General

1. Ensure that your gas equipment is maintained in sound condition. CONSULT YOUR DEALER if you are in doubt as to the safety or efficiency of your gas system
2. When using fuel-burning equipment (especially in confined spaces) make sure there is ADEQUATE VENTILATION.
3. NOTIFY YOUR DEALER whenever you require service.
4. Make certain that you know how to operate all the equipment and appliances.
5. NEVER fit a cylinder on its side or leaning out of the vertical: ALWAYS upright, with the valve uppermost.
6. The regulator must only be used in any vertical position with the inlet facing downwards or the horizontal position with the regulator bonnet facing upwards.
7. NEVER allow anyone other than a person experienced in the operation to connect or disconnect cylinders or regulators
8. EVER LOOK FOR GAS ESCAPES WITH A NAKED FLAME, use soap or detergent solution, or trace the leak by your sense of smell.
9. TURN OFF THE GAS SUPPLY AND INFORM YOUR DEALER IMMEDIATELY if you suspect any part of your Gas system to be leaking.
10. Never use tools to operate the cylinder valve, if the valve does not operate freely DO NOT remove the plastic valve branch cap. PUT THE CYLINDER IN A SAFE WELL VENTILATED PLACE AND INFORM YOUR DEALER IMMEDIATELY
11. ALWAYS fit TYPE approved appliances. NEVER use the appliances other than in the manner and circumstances laid down in the manufacturer's literature.
12. NEVER tamper the mechanism of the regulator.
13. DO NOT move the cylinder during operation.
14. PROPANE attacks natural rubber, therefore ensure that only TYPE approved flexible hoses and special Synthetic rubber low pressure tubing are used, and that only TYPE approved jointing compounds and greases are used. All nozzles for approved low pressure hose must be of the approved type. It is

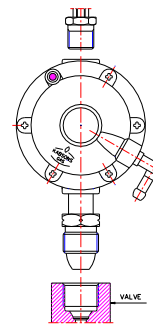
recommended that all hoses are examined at frequency intervals and replaced by your dealer if there is any of damage or deterioration.

15. The life expectancy of the regulator being estimated as 10 years. It is recommended that it is changed within 10 years of the date of manufacture.
16. When used on salt water boats, it is recommended to replace the regulator after 5 years as inline with all flexible LPG gas hoses.

Changing Cylinder

When changing cylinders do not have naked flames in the vicinity.

Single Cylinder Installations



1. WHEN CHANGING THE CYLINDER MAKE SURE THAT THE VALVE ON THE EMPTY CYLINDER IS CLOSED BY TURNING THE VALVE OPERATING WHEEL CLOCK WISE.
2. The outlet connection of the regulator will enable either flexible tube or copper pipe to be fitted. When the regulator is disconnected from the cylinder, care must be taken to ensure that the outlet connection is not damaged.
3. For connecting the Regulator inlet to the Cylinder Valve outlet, use correct size spanner. After fitting it may be found that the Regulator has assumed a position out of horizontal. Ensure vent is level or slightly below level not facing up. DO NOT ATTEMPT TO TWIST THE REGULATOR.
4. While tightening the valve ensure that it operates freely turning anti-clockwise to open and clockwise to close, then firmly close the valve and be sure that the Valve is closed.
5. Ensure that the outlet connection of the regulator has not been disturbed and that the joint is still gas-tight.
6. Check that all the appliance taps are turned off and then open cylinder valve by turning the valve operating wheel to the left ANTI CLOCKWISE